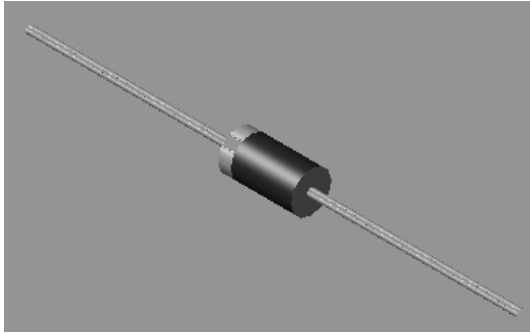




1N5822

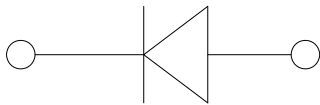


Features

- Guardring for overvoltage protection
- Low power loss
- Extremely fast switching
- High forward surge capability
- High frequency operation
- Solder dip 275 °C max. 7 s, per JESD 22-B106

Applications

For use in low voltage high frequency inverters, freewheeling, DC/DC converters, and polarity protection applications.



Product Details

- Part Number: DO-201AD(DO-27)
- Molding compound meets UL 94 V-0 flammability rating, RoHS-compliant
- Lead Plating: Tin plated leads, solderable per J-STD-002 and JESD22-B102
- Color Band: Color band denotes the cathode end

Electrical Characteristics (Ta=25 °C Unless otherwise specified)

Parameter	Symbol	Unit	1N5820	1N5821	1N5822
Device marking code			1N5820	1N5821	1N5822
Repetitive Peak Reverse Voltage	V_{RRM}	V	20	30	40
Average Rectified Output Current @60Hz sine wave, Resistance load, Ta (FIG.1)	I_O	A	3.0		
Forward Surge Current (Non-repetitive) @60Hz Half-sine wave, 1 cycle, Ta=25	I_{FSM}	A	80		
Storage Temperature	T_{stg}		-55 ~+150		
Junction Temperature	T_j		-55 ~+125		

Ordering Information

--	--	--	--	--

© 2013 Yangzhou Yangjie Electronic Technology Co., Ltd.

1N5822



H\Yf aU`7\UfUWhYf]gh]Wg' T_a=25



8]gW`U] a Yf`

The information presented in this document is for reference only. Yangzhou Yangjie Electronic Technology Co., Ltd. reserves the right to make changes without notice for the specification of the products displayed herein to improve reliability, function or design or otherwise.

The product listed herein is designed to be used with ordinary electronic equipment or devices, and not designed to be used with equipment or devices which require high level of reliability and the malfunction of which would directly endanger human life (such as medical instruments, transportation equipment, aerospace machinery, nuclear-reactor controllers, fuel controllers and other safety devices), Yangjie or anyone on its behalf, assumes no responsibility or liability for any damages resulting from such improper use of sale.

This publication supersedes & replaces all information previously supplied. For additional information, please visit our website [http:// www.21yangjie.com](http://www.21yangjie.com)